



**IC Specifications**

IC Protocol: ISO 18000-6C  
 ISO Typical frequency 860-960MHz  
 Chip: Alien H3  
 User Memory: 521Bit

Chip Pert No: SL3S1206FUD2/HA  
 Operating Temperature: -30°C/+200°C  
 Storage Temperature: -30°C/+200°C  
 EPC Memory: 96Bit max.

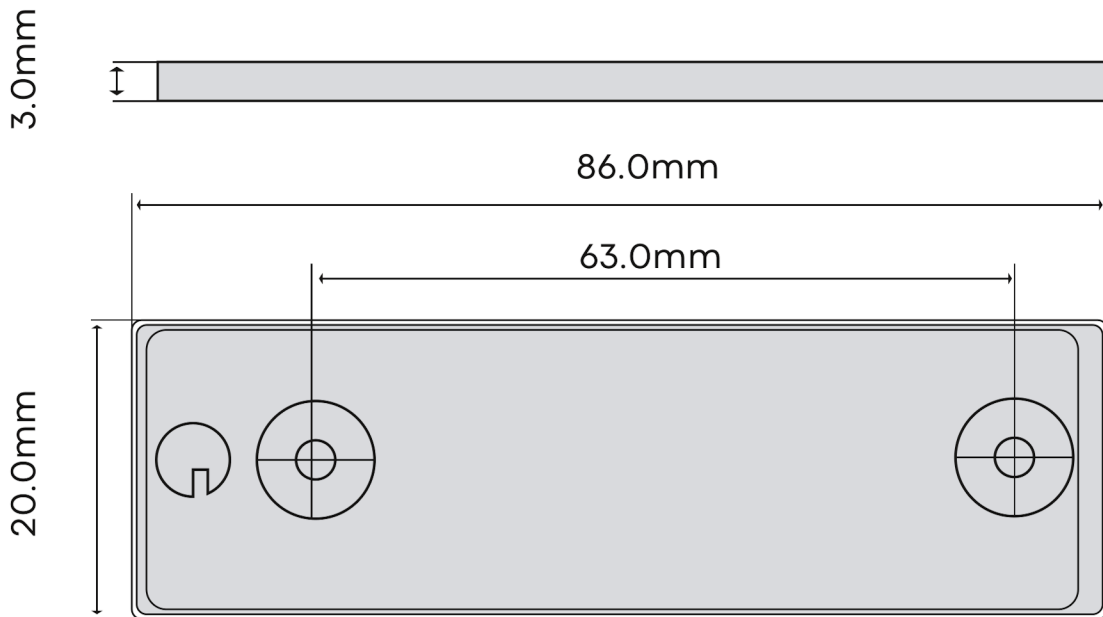
**Antenna Design**

Top: aluminium/ 10 um  
 Substrate: PET/50 um



“ The shock-resistance tag for metallic items ”

**Dimensions (mm)**



**Physical**

Dimension (in): 3',38" x 0,79" x 0,12"  
 Encasement: fr - 4  
 Color: Rad or customized  
 Printing: Laser printing for series number  
 Mount way: Past / Screw fixation  
 Quality Assurance: 100% Performance Test

**Read Range**

